

NOTE: Concept drawing only.  
Do not scale.

	NAME	DATE
DESIGNED	MG	
DETAILED	MG	
CHECKED		
ENG APPR.		
MFG APPR.		



TITLE:  
BACA EDGE XL

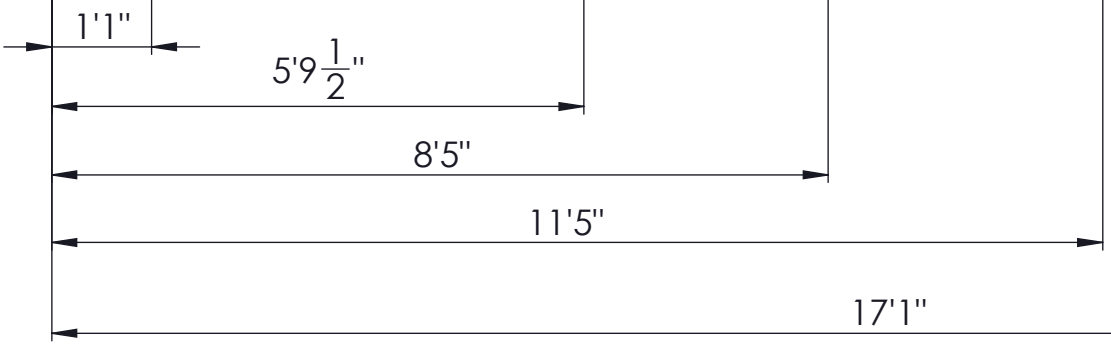
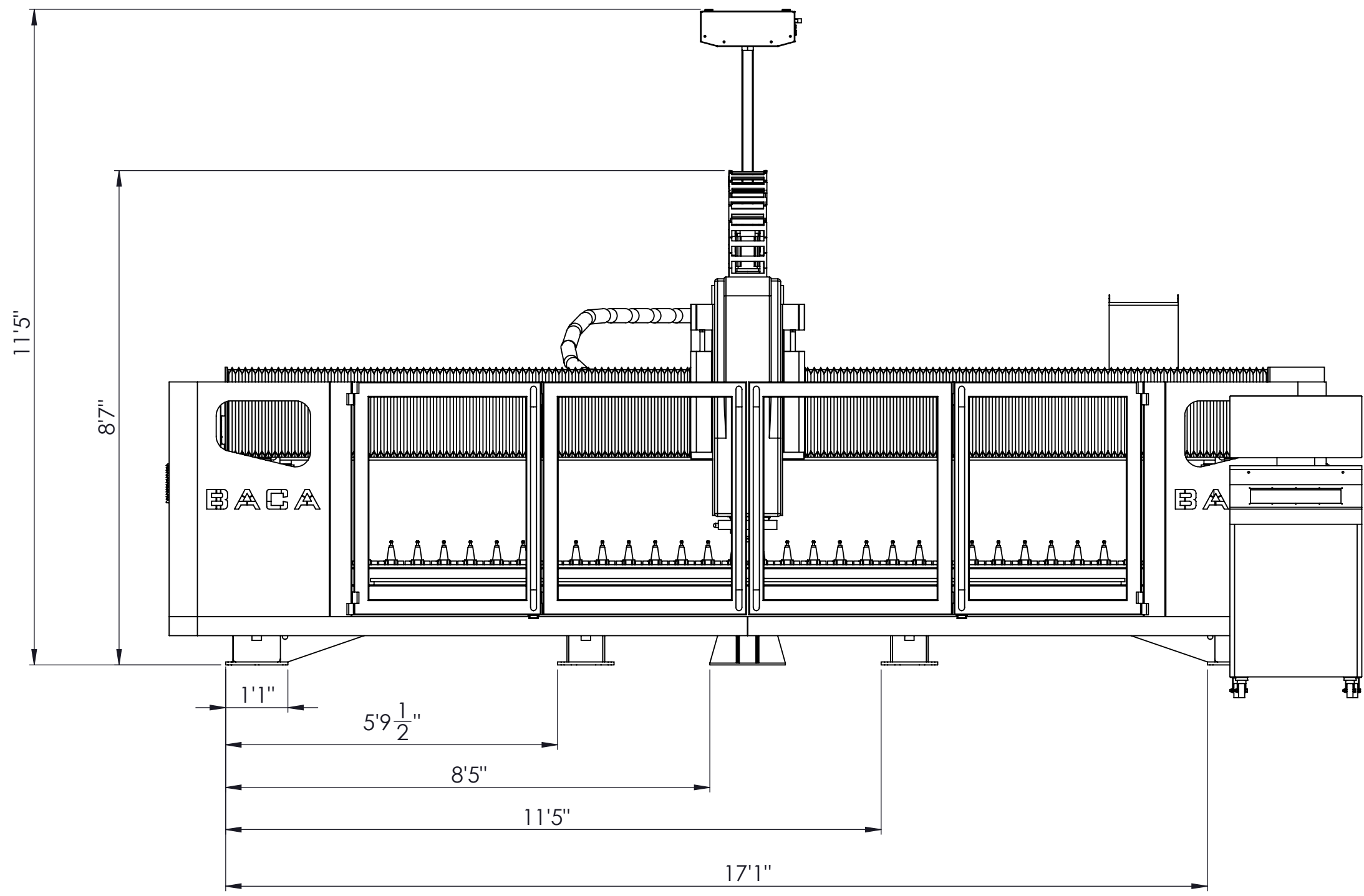
	INCHES	METRIC
UNLESS OTHERWISE SPECIFIED		
STOCK AND CUT-OFF DIMENSIONS	±0.031	±0.5
ONE PLACE DECIMAL DIMENSIONS	N/A	±0.2
TWO PLACE DECIMAL DIMENSIONS	±0.01	±0.10
THREE PLACE DECIMAL DIMENSIONS	±0.005	±0.013
FOUR PLACE DECIMAL DIMENSIONS	±0.0005	N/A
MACHINE ANGLES	±0.5°	±0.5°

PROPRIETARY AND CONFIDENTIAL  
THE INFORMATION CONTAINED IN THIS DRAWING IS THE SOLE PROPERTY OF BACA SYSTEMS. ANY REPRODUCTION IN PART OR AS A WHOLE WITHOUT THE WRITTEN PERMISSION OF BACA SYSTEMS IS PROHIBITED.

SIZE	REV
B	2

8 7 6 5 4 3 2 1

D  
C  
B  
A



	NAME	DATE
DESIGNED	MG	
DETAILED	MG	
CHECKED		
ENG APPR.		
MFG APPR.		



TITLE:  
BACA EDGE XL

	INCHES	METRIC
UNLESS OTHERWISE SPECIFIED		
STOCK AND CUT-OFF DIMENSIONS	±0.031	±0.5
ONE PLACE DECIMAL DIMENSIONS	N/A	±0.2
TWO PLACE DECIMAL DIMENSIONS	±0.01	±0.10
THREE PLACE DECIMAL DIMENSIONS	±0.005	±0.013
FOUR PLACE DECIMAL DIMENSIONS	±0.0005	N/A
MACHINE ANGLES	±0.5°	±0.5°

PROPRIETARY AND CONFIDENTIAL  
THE INFORMATION CONTAINED IN THIS DRAWING IS THE SOLE PROPERTY OF BACA SYSTEMS. ANY REPRODUCTION IN PART OR AS A WHOLE WITHOUT THE WRITTEN PERMISSION OF BACA SYSTEMS IS PROHIBITED.

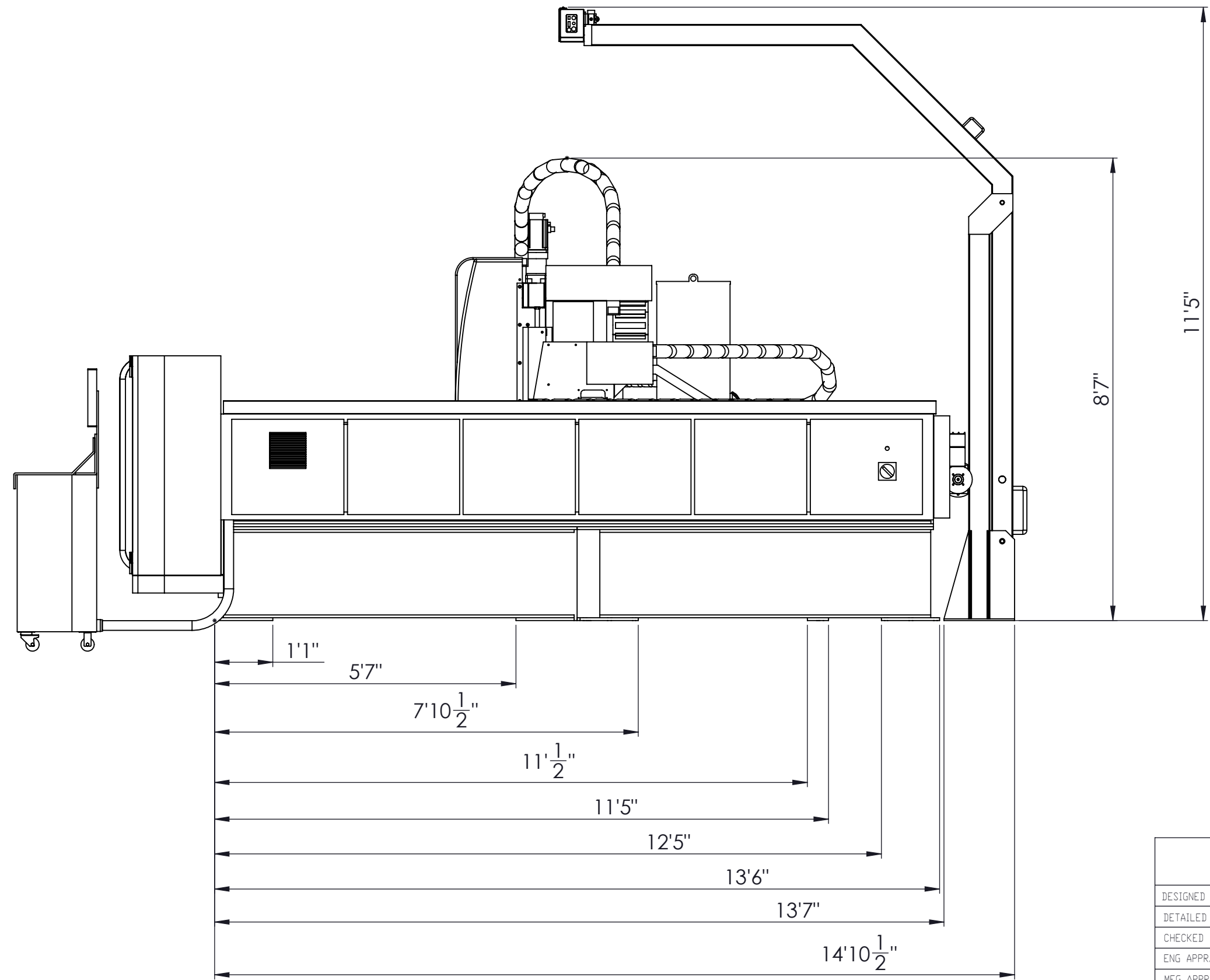
SIZE B	REV 2
SCALE 1:25	4/22/2021
SHEET 2 OF 5	

NOTE: Concept drawing only.  
Do not scale.

8 7 6 5 4 3 2 1

8 7 6 5 4 3 2 1

D  
C  
B  
A



NOTE: Concept drawing only.  
Do not scale.

	NAME	DATE
DESIGNED	MG	
DETAILED	MG	
CHECKED		
ENG APPR.		
MFG APPR.		



TITLE:  
BACA EDGE XL

	INCHES	METRIC
UNLESS OTHERWISE SPECIFIED		
STOCK AND CUT-OFF DIMENSIONS	±0.031	±0.5
ONE PLACE DECIMAL DIMENSIONS	N/A	±0.2
TWO PLACE DECIMAL DIMENSIONS	±0.01	±0.10
THREE PLACE DECIMAL DIMENSIONS	±0.005	±0.013
FOUR PLACE DECIMAL DIMENSIONS	±0.0005	N/A
MACHINE ANGLES	±0.5°	±0.5°

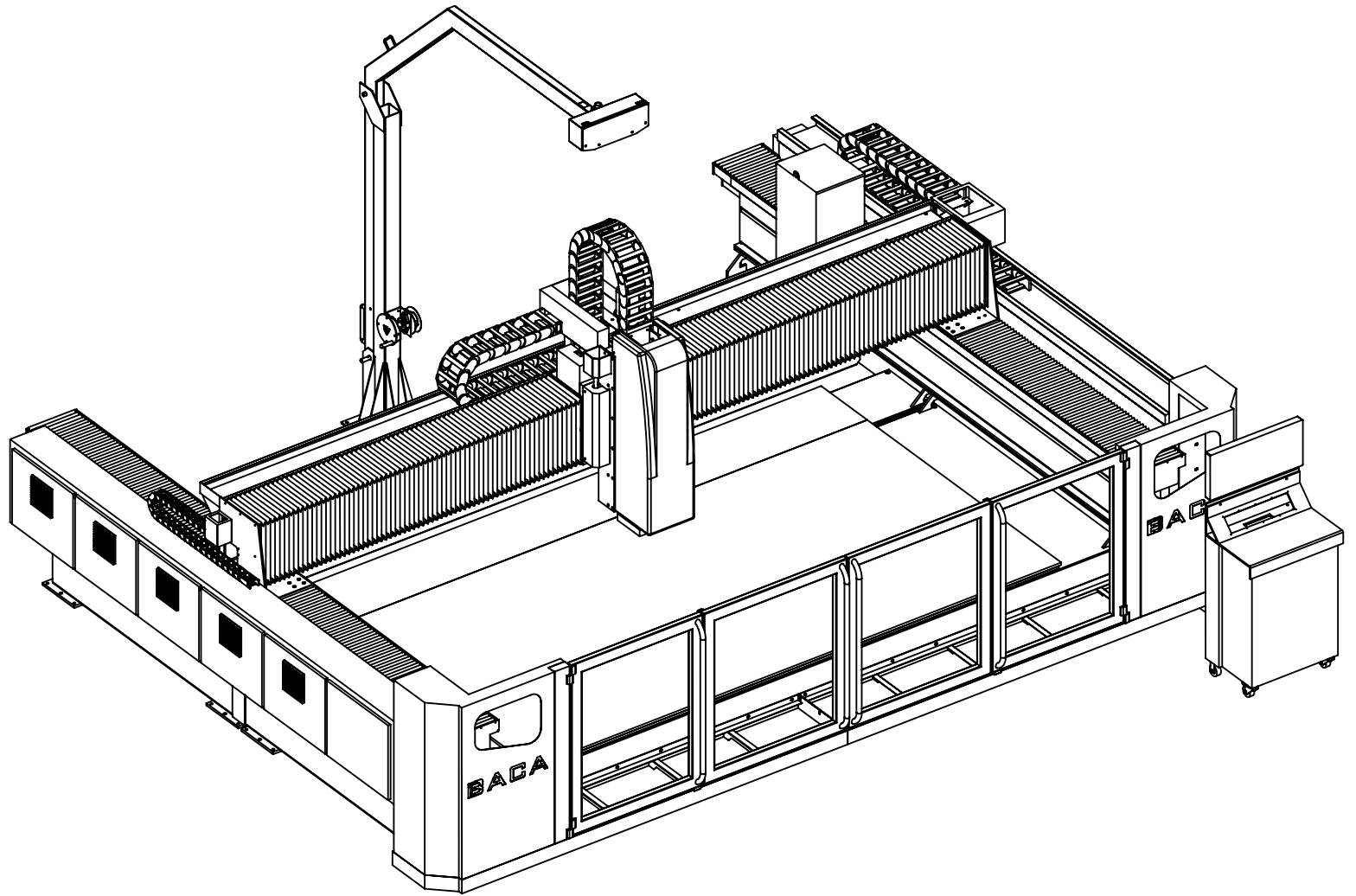
PROPRIETARY AND CONFIDENTIAL  
THE INFORMATION CONTAINED IN THIS DRAWING IS THE SOLE PROPERTY OF BACA SYSTEMS. ANY REPRODUCTION IN PART OR AS A WHOLE WITHOUT THE WRITTEN PERMISSION OF BACA SYSTEMS IS PROHIBITED.

SIZE B	REV 2
SCALE 1:25	4/22/2021
SHEET 3 OF 5	

8 7 6 5 4 3 2 1

8 7 6 5 4 3 2 1

D  
C  
B  
A



NOTE: Concept drawing only.  
Do not scale.

	NAME	DATE
DESIGNED	MG	
DETAILED	MG	
CHECKED		
ENG APPR.		
MFG APPR.		



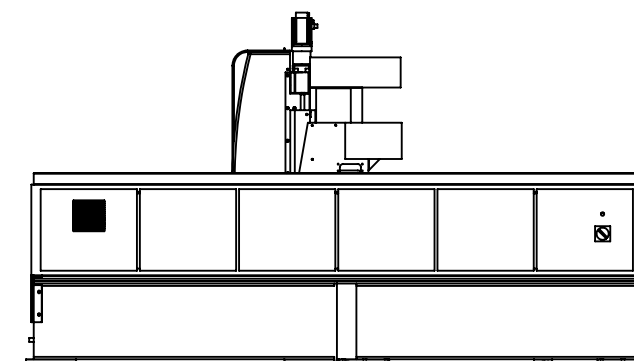
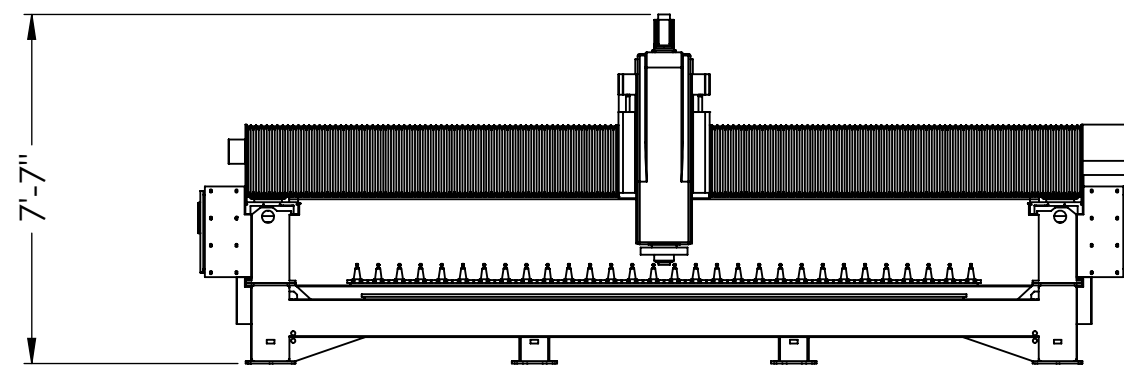
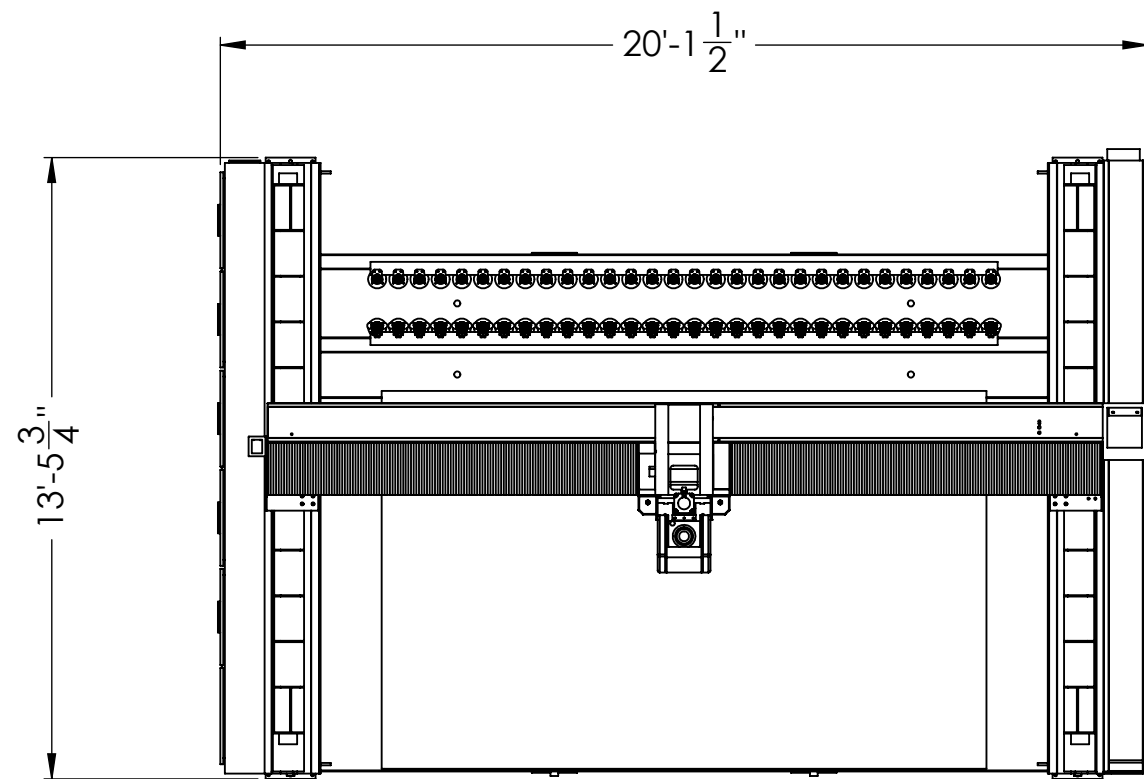
TITLE:  
BACA EDGE XL

	INCHES	METRIC
UNLESS OTHERWISE SPECIFIED		
STOCK AND CUT-OFF DIMENSIONS	±0.031	±0.5
ONE PLACE DECIMAL DIMENSIONS	N/A	±0.2
TWO PLACE DECIMAL DIMENSIONS	±0.01	±0.10
THREE PLACE DECIMAL DIMENSIONS	±0.005	±0.013
FOUR PLACE DECIMAL DIMENSIONS	±0.0005	N/A
MACHINE ANGLES	±0.5°	±0.5°

PROPRIETARY AND CONFIDENTIAL  
THE INFORMATION CONTAINED IN THIS DRAWING IS THE SOLE PROPERTY OF BACA SYSTEMS. ANY REPRODUCTION IN PART OR AS A WHOLE WITHOUT THE WRITTEN PERMISSION OF BACA SYSTEMS IS PROHIBITED.

SIZE B	REV 2
SCALE 1:40	4/22/2021
SHEET 4 OF 5	

8 7 6 5 4 3 2 1



**Shipping Dimensions**

NOTE: Concept drawing only.  
Do not scale.

	INCHES	METRIC
UNLESS OTHERWISE SPECIFIED		
STOCK AND CUT-OFF DIMENSIONS	±0.031	±0.5
ONE PLACE DECIMAL DIMENSIONS	N/A	±0.2
TWO PLACE DECIMAL DIMENSIONS	±0.01	±0.10
THREE PLACE DECIMAL DIMENSIONS	±0.005	±0.013
FOUR PLACE DECIMAL DIMENSIONS	±0.0005	N/A
MACHINE ANGLES	±0.5°	±0.5°

	NAME	DATE
DESIGNED	MG	
DETAILED	MG	
CHECKED		
ENG APPR.		
MFG APPR.		



TITLE:  
BACA EDGE XL

SIZE	REV
B	2

PROPRIETARY AND CONFIDENTIAL  
THE INFORMATION CONTAINED IN THIS DRAWING IS THE SOLE PROPERTY OF BACA SYSTEMS. ANY REPRODUCTION IN PART OR AS A WHOLE WITHOUT THE WRITTEN PERMISSION OF BACA SYSTEMS IS PROHIBITED.